

THIS DOCUMENT CONTAINS DATA PROPRIETARY TO PROJECTS UNLIMITED, INC. ANY USE OR REPRODUCTION, IN ANY FORM, WITHOUT PRIOR WRITTEN PERMISSION OF PROJECTS UNLIMITED, INC. IS PROHIBITED.
 ©2005, Projects Unlimited Inc.

SPECIFICATIONS

| PARAMETERS | VALUES | UNITS |
|-------------------------------|-------------------|------------|
| RATED VOLTAGE | 24 | Vdc |
| OPERATING VOLTAGE RANGE | 9 ~ 28 | Vdc |
| TONE OUTPUT | SEE 32 TONE CHART | — |
| CURRENT CONSUMPTION (NOMINAL) | SEE 32 TONE CHART | mA |
| INGRESS PROTECTION | IP33 | — |
| LENS COLOR | RED | — |
| FLASH RATE | 1 | PER/SECOND |
| CASE MATERIAL/COLOR | ABS/RED | — |
| TERMINAL | SCREW | — |
| OPERATING TEMPERATURE | -10 ~ +60 | °C |
| WEIGHT | 270 | grams |

| REVISIONS | | | |
|-----------|---------------------------------|----------|----------|
| LTR | DESCRIPTION | DATE | APPROVED |
| — | RELEASED FROM ENGINEERING | 12/15/05 | |
| A | ADDED RoHS & REVISED BASE NOTES | 5/21/07 | R.W. |

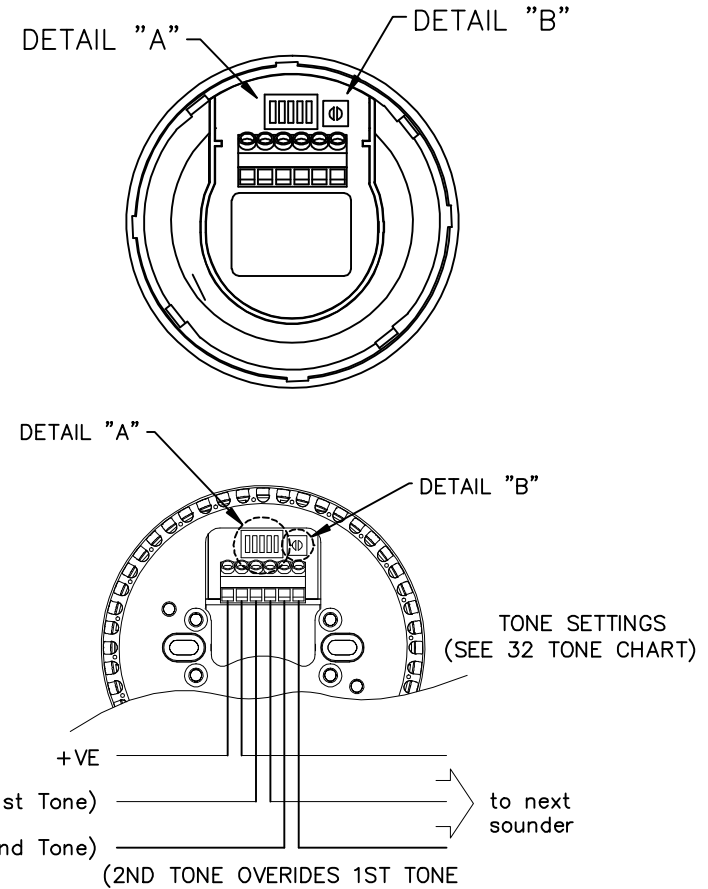
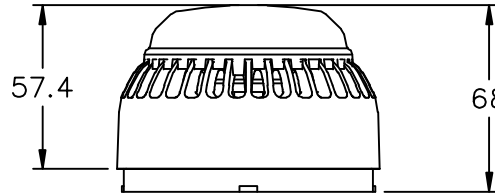
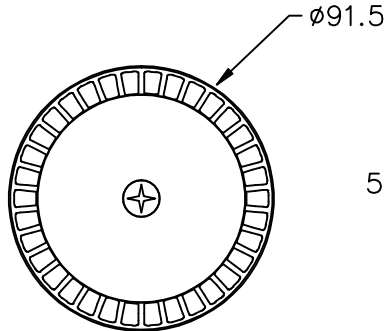
DETAIL "A"

| | |
|--------------------------|---|
| <input type="checkbox"/> | 1 |
| <input type="checkbox"/> | 2 |
| <input type="checkbox"/> | 3 |
| <input type="checkbox"/> | 4 |
| <input type="checkbox"/> | 5 |

1=CLOSED
0=OPEN

DETAIL "B"

VOLUME CONTROL

 MAX


OPTIONAL BASES
 DEEP BASE: AWA-DBR
 U BASE: AWA-UBR
 120Vac BASE: AWA-DBR-120

NOTES:

- ALL DIMENSIONS ARE IN MILLIMETERS.
- SPECIFICATION SUBJECT TO CHANGE OR WITHDRAWAL WITHOUT NOTICE.
- FOR SECOND TONE, CONNECT THIRD WIRE TO -ve.
- THIS PART IS RoHS 2002/95/EC COMPLIANT.
- IP65 WITH USE OF AWA-DBR, AWA-DBR-120, OR AWA-UBR BASE.

FILE NAME
 AVW-15LPNBR-RL.DWG

| UNLESS OTHERWISE SPECIFIED: DIMENSIONS ARE IN MILLIMETERS, TOLERANCES ARE ±0.5 AND ANGLES ARE ±3°. | | projects® unlimited Dayton, Ohio | | | | | | | | | |
|--|-------------------------------|-------------------------------------|------|--------------|-------|--------------|-------|---------------|-------|--------------|--|
| <table border="1"> <thead> <tr> <th>APPROVALS</th> <th>DATE</th> </tr> </thead> <tbody> <tr> <td>DRAWN J.A.F.</td> <td>12/05</td> </tr> <tr> <td>CHECKED E.P.</td> <td>12/05</td> </tr> <tr> <td>APPROVED B.R.</td> <td>12/05</td> </tr> </tbody> </table> | | APPROVALS | DATE | DRAWN J.A.F. | 12/05 | CHECKED E.P. | 12/05 | APPROVED B.R. | 12/05 | SIREN/STROBE | |
| APPROVALS | DATE | | | | | | | | | | |
| DRAWN J.A.F. | 12/05 | | | | | | | | | | |
| CHECKED E.P. | 12/05 | | | | | | | | | | |
| APPROVED B.R. | 12/05 | | | | | | | | | | |
| SIZE A | DRAWING NO. AVW-15LPNBR-RL | | | | | | | | | | |
| DO NOT SCALE DRAWING | SCALE: N.T.S. | SHEET 1 OF 1 | | | | | | | | | |

| Primary tone | Secondary tone | Switch setting | Tone description | | | | Main Application | AVW-15LP | | | | |
|--------------|----------------|----------------|------------------|--------------|---|------|-------------------|-----------|--------------------|--------|-------------------|------------------------|
| | | | | | | | | 12 VDC | 12 Vdc on axis @1M | 24 VDC | 24Vdc on axis @1M | EN54-3 28Vdc see notes |
| | | | 12345 | Pattern | Frequency Hz | Rate | | Depiction | mA | dB(A) | mA | dB(A) |
| 1 | 14 | 11111 | Alternating | 800 & 970 | 2Hz (250ms-250ms) | | BS Fire tone | 102 | 93 | 19 | 100 | * |
| 2 | 14 | 11110 | Sweep | 800 to 970 | 7Hz (7/s) | | BS Fire tone | 102 | 94 | 19 | 101 | * |
| 3 | 36 | 11101 | Sweep | 800 to 970 | 1Hz (1/s) | | BS Fire tone | 102 | 95 | 19 | 101 | 95 |
| 4 | 14 | 11100 | Continuous | 2850 | Steady | | | 108 | 104 | 33 | 110 | * |
| 5 | 4 | 11011 | Sweep | 2400 to 2850 | 7Hz | | | 110 | 103 | 31 | 110 | * |
| 6 | 4 | 11010 | Sweep | 2400 to 2850 | 1Hz | | | 109 | 103 | 31 | 110 | * |
| 7 | 14 | 11001 | Slow whoop | 300 to 1200 | 3s sweep, 0.5 s silence, then repeat | | Dutch Fire tone | 104 | 92 | 21 | 98 | 97 |
| 8 | 14 | 11000 | Sweep (DIN) | 1200 to 500 | 1Hz | | Din tone | 101 | 91 | 17 | 98 | 94 |
| 9 | 4 | 10111 | Alternating | 2400 & 2850 | 2Hz (250ms-250ms) | | | 111 | 102 | 31 | 109 | * |
| 10 | 14 | 10110 | Intermittent | 970 | 0.5Hz (1s On/1s Off) | | | 101 | 93 | 13 | 100 | * |
| 11 | 14 | 10101 | Alternating | 800 & 970 | 1Hz (500ms-500ms) | | BS Fire tone | 102 | 93 | 19 | 100 | * |
| 12 | 4 | 10100 | Intermittent | 2850 | 0.5Hz (1s On/1s Off) | | | 106 | 102 | 25 | 109 | * |
| 13 | 14 | 10011 | Intermittent | 970 | 0.8Hz (250ms On/1s Off) | | | 97 | 89 | 9 | 96 | * |
| 14 | 14 | 10010 | Continuous | 970 | Steady | | BS Fire tone | 103 | 94 | 21 | 101 | 95 |
| 15 | 14 | 10001 | Alternating | 554 & 440 | 100ms-400ms | | French fire tone | 99 | 87 | 13 | 93 | * |
| 16 | 16 | 10000 | Intermittent | 660 | 3.3Hz (150ms On/150msOff) | | Swedish fire tone | 98 | 80 | 10 | 86 | * |
| 17 | 17 | 01111 | Intermittent | 660 | 0.28Hz(1.8s On/1.8s Off) | | Swedish fire tone | 99 | 83 | 13 | 88 | * |
| 18 | 18 | 01110 | Intermittent | 660 | 0.05Hz (13s Off / 6.5Hz On) | | Swedish fire tone | 100 | 83 | 15 | 88 | * |
| 19 | 19 | 01101 | Continuous | 660 | Steady | | Swedish fire tone | 100 | 83 | 15 | 89 | * |
| 20 | 20 | 01100 | Alternating | 554 & 440 | 0.5Hz (1s On/1s Off) | | Swedish fire tone | 99 | 90 | 14 | 96 | * |
| 21 | 21 | 01011 | Intermittent | 660 | 1Hz (500ms-500ms) | | Swedish fire tone | 98 | 81 | 11 | 87 | * |
| 22 | 14 | 01010 | Intermittent | 2850 | 4Hz (150ms On/100ms Off) | | Pelican crossing | 105 | 101 | 23 | 109 | * |
| 23 | 14 | 01001 | Sweep | 800 to 970 | 50Hz | | BS Fire tone | 102 | 95 | 19 | 101 | * |
| 24 | 4 | 01000 | Sweep | 2400 to 2850 | 50Hz | | | 106 | 103 | 26 | 110 | * |
| 25 | 25 | 00111 | Intermittent | 970 | 3 x 500ms pulses followed by 1.5s silence then repeat | | ISO 8201 | 101 | 92 | 15 | 99 | * |
| 26 | 26 | 00110 | Intermittent | 2850 | 3 x 500ms pulses followed by 1.5s silence then repeat | | ISO 8201 | 104 | 101 | 21 | 108 | * |
| 27 | 27 | 00101 | Continuous | 4000 | Steady | | | 110 | 75 | 36 | 83 | * |
| 28 | 10 | 00100 | Alternating | 800 & 970 | 2Hz (250ms-250ms) | | BS Fire tone | 102 | 93 | 18 | 100 | * |
| 29 | 33 | 00011 | Alternating | 990 & 650 | 2Hz (250ms-250ms) (Symphoni tones) | | BS Fire tone | 107 | 92 | 22 | 99 | 96 |
| 30 | 36 | 00010 | Alternating | 510 & 610 | 2Hz (250ms-250ms) (Squashni Micro tones) | | BS Fire tone | 103 | 91 | 16 | 96 | 92 |
| 31 | 31 | 00001 | Sweep | 300 to 1200 | 1Hz | | | 107 | 90 | 22 | 96 | * |
| 32 | 32 | 00000 | Continuous | 4000 | Steady | | | 110 | 75 | 36 | 83 | * |

Note (a): Tones approved under the Construction Products Directive for Fire Alarm Applications, are shown in the column marked EN54-3.

Note (b): EN54-3 measurements shown reflect minimum expected SPL readings at Maximum Volume at the Loudest Point around the EN54-3 defined sounder axis.

Note (c): All other tone measurements reflect manufacturers data based on 'on axis' measurements, and are not verified by a Notified body.

Note (d): All measurements taken at 20oC operating temperature.